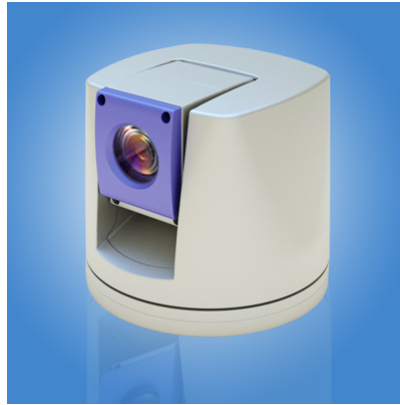


D87 Mini Heavy-duty Camera

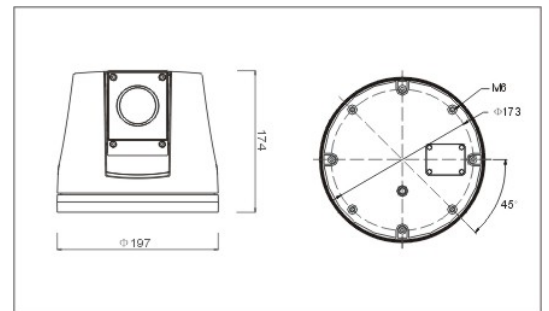


Feature

- ◆ High-strength casting cover, anti-shocking, corrosion-proof, IP66
- ◆ Special power design, play a protective effect of vehicle's start, emergency brake and engine died
- ◆ Rating impact load 3.4g accelerate
- ◆ Built-in zoom camera, decoder, integrated structure, smart outline, pan 360° continuously, upward angle(+90° ~ -30°), no spot
- ◆ All-weather environmental design, -40°C ~ +60°C
- ◆ 128 presets (titles can be set); Tour is based on presets, speed & park time of presets can be set.
- ◆ Built-in OSD menu, can change information and parameters of dome through menu, also can set and call presets, tour, scan, pattern, camera mode and display name etc.
- ◆ 8 programmable zones, 4 pattern, and each record time is not less than 180s.
- ◆ 4 scan, support scan between left and right limit at an appointed speed.
- ◆ Park action function, can auto-call presets or start-up tour, pattern and scan after dome idle for a period of time
- ◆ Real clock function, can Set auto-call presets or start-up tour, pattern, scan in particular time by built-in OSD Menu.
- ◆ Temperature display function, can survey the temperature inside of dome.
- ◆ Display function of pan/tilt position and zoom.
- ◆ 7 alarm input, 2 alarm output
- ◆ Privacy masking zone, you can set a masking frame to protect privacy when there is a private zone displaying on screen.
- ◆ Communication: RS485
- ◆ Built-in multi-protocols and fully compatible with PELCO-D, PELCO-P, KALATEL, VICON, BOSCH(PHILIPS), SENSORNT, AD, VIDO B02 etc.
- ◆ Built-in constant temperature device, wave-proof
- ◆ Lightning-proof protection for video, communication, power access terminal are designed with 2 ~ 3 protection grade

Specification	
Power supply	DC 12V ±2V
Power consumption	Maximum 20W
Monitor	Manual/Time start-up setting
Rotation speed	Pan 0.4 ~ 80° /s, tilt 0.4 ~ 60° /s
Preset speed	Pan 160° /s, tilt 120° /s
Orientation accuracy	± 0.03°
Rotation	Pan 360° continuously, tilt 120° (-30° ~ +90°), with auto-flip
Speed Proportion	Auto-adjust the speed as the length of focus
Preset	128 presets, titles can be edited
Auto-flip	Tilt down 90°, with auto-flip 180°
Scan	355° programmable, 4 scan
Display zone	8 programmable zones with titles
Alarm function	7 alarm input / 2 alarm output
Sync	Internal
Decoder	Built-in
Video output	Female BNC
Remote controlling	RS485
Baud rate (RS485)	2400/4800/9600/19200 bps
ID range	1 ~ 254
Temperature	Outdoor -40°C ~ +60°C
Humidity	0 ~ 95% (Non-condensation)
Protection grade	IP66, surge-proof, wave-proof, all-day defend cover
Dimension (D×H)	Φ197 x 174mm
Gross weight	4.0kg

Dimension:



K.S.R. ELECTRONICS CO., LTD.

1072 Lardphao Rd., Samsennok, Huaykwang, Bangkok 10320
 Tel : 0-2939-8383 Fax : 0-2513-6040
 email : ksrelectronics@yahoo.com