

D88 Outdoor Infrared High Speed PTZ System



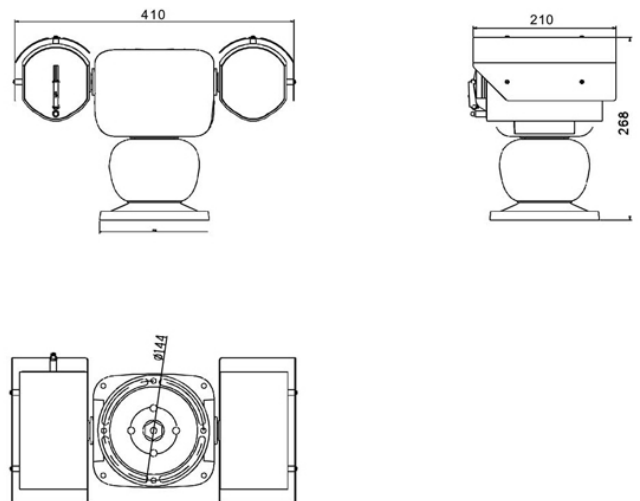
Features

- ◆ Humanize design; easy installation & maintenance.
- ◆ Infrared night vision: ≤100 meters.
- ◆ Temperature: -40°C ~ +60°C
- ◆ High die-cast aluminum casing, shock-proof, rust-proof, protection grade IP66, with wiper.
- ◆ 360° continuously rotation, upward angle (+90°, -90°), no spot.
- ◆ Built-in OSD menu, can set and call the presets, tour, scan, camera mode and display name through menu and change the parameter of the dome.
- ◆ 128 presets (Titles can be set); Tour is based on presets; speed & park time of presets can be set.
- ◆ 8 programmable zones, 4 pattern, and each record time is not less than 180s.
- ◆ 4 scan, support scan between left and right limite at an appointed speed.
- ◆ Park action function, can auto-call presets or start-up tour, pattern, scan and display areas after the dome is idle for a period of time.
- ◆ Temperature display function, can survey the temperature inside the dome .
- ◆ Display function of Pan/tilt position and zoom in/out.
- ◆ 7 alarm input, 2 alarm output, support alarm linkage. (To call preset pattern, scan, tour, display areas etc)
- ◆ Privacy masking zone, when there is a private zone on the monitor, masking frame can be set to protect privacy, setting up to 24 masking frames with various dimension.
- ◆ Communication (support Rs485, Manchester, BI-PHASE code, coaxial video control).
- ◆ Built-in multi-protocol transform and fully compatible with protocols below: PELCO-D/P, MOLYNX, KALATEL, BOSCH(PHILIPS), SENSORNT, VIDOB02 and mainstream protocols etc.
- ◆ IP66 all-day defend cover, built-in constant temperature device.
- ◆ Built-in TVS4000V lightning-proof, surge-proof and wave-proof.

Specification

Power supply	AC 24V ±4V
Power consumption	45W
Monitor method	Manual/Time start-up setting
Infrared light	Manual/auto (As the intensity of ray to auto-open)
Wiper	Manual
Night-vision distance	100m
Rotation speed	Pan 0.4 ~ 80°/s, Tilt 0.4 ~ 60°/s
Preset speed	Pan 160°/s, Tilt 120°/s
Orientation accuracy	±0.05°
Rotation	Pan 360° continuously, tilt 180° (-90° ~ +90°), with auto-flip
Speed Proportion	As the length of focus, to auto-adjust the speed
Preset	128 preset, titles can be edited
Auto-flip	Tilt down 90°, with auto-flip 180°
Scan	355° programmable , 4 scan
Display zone	8 programmable zones with titles
Alarm function	7 alarm input / 2 alarm output
Sync Model	Internal/external
Decoder	Built-in
Video output	Female BNC
Remote controlling	RS485/422 BUS、Manchester、BI-PHASE、Coaxial Video Control
Baud rate (RS485)	2400 / 4800 / 9600/19200 bps
ID range	1~254
Temperature	Outdoor -40°C ~ +60°C
Humidity	0~95% (Non-condensation)
Protection grade	IP66, 4000V lightning-proof, surge-proof, wave-proof, all-day defend cover
Dimension (L×W×H)	411*210*269 (H) mm.
Gross weight	9.5kg

Dimension:



K.S.R. ELECTRONICS CO., LTD.

1072 Lardphao Rd., Samsennok, Huaykwang, Bangkok 10320
 Tel : 0-2939-8383 Fax : 0-2513-6040
 email : ksrelectronics@yahoo.com