

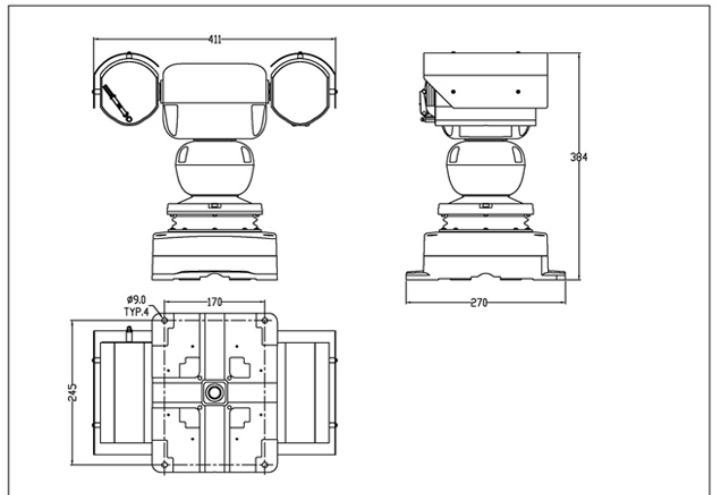
D89 series Heavy duty PTZ applied on vehicle(Infrared High Speed PTZ System)



Feature
1. Compact structure, high stability, good effect of anti-shocking, implement flexible connection between pan/tilt and vehicle, while driving, pan/tilt can improve the image quality, and improve working efficiency and quality of assignment that vehicle implement.
2. Built-in English and Chinese OSD menu
3. Alarm function, 7 alarm input/2 alarm output, support alarm action.
4. 4 scan, 4 pattern, 4 tour, 8 display zone.
5. 128 preset, titles can be set.
6. Screen can display pan and tilt position of pan/tilt.
7. Park action and time function(can edit time schedule), support calling preset, tour, pattern and scan.
8. TVS 1500W lightning-proof, surge-proof, wave-proof.
9. Temperature display function, can survey the temperature inside of dome.
Description
D89 series new design vehicle application PTZ camera. AMP socket makes installation easier. Build-in zoom camera and decoder, compact component construct the pretty shape. Pan 360° continuously rotation, tilt 180°, with auto flip, can be surveillanced without blind spot. High-test motor works equably on low speed and be able to accurately locate the targets. it can set up to 128 presets (titles can be set), 4 tour (Max 32 presets for each tour), 4 pattern (each record time is no less than 180s), 8 programmable zones with titles. Build-in OSD menu can be visible to set or change the information and parameter of dome, can set and call presets,scan, pattern,tour and display zones etc. Build-in alarm function with 7 alarm input and 2 alarm output, support alarm action. Auto focus and auto Iris can provide high quality pictures, humanize focus and speed proportion can be well capture the targets. Build-in multi-protocol decoder, can be compatible with Matrix, remote image transfers system and disk recorder system. (Protocol such as Pelco-P, Pelco-D and VICON etc.)

Specification	
Infrared light	Manual/auto (As the intensity of ray to auto-open)
Wiper	Manual
Night-vision distance	100m
Resolution	>=480 TVLines
Video output	1.0 +/-0.2Vp-p
S/N ratio	>=50 db
Illumination	0.7 Lux (Color), 0.01 Lux (Black)
Focus	3.5-91mm
Angle of view	Wide54° / tele 2.2°
Rotation speed	Pan 0.4 ~ 80°/s, Tilt 0.4 ~ 60°/s
Preset Time	< 1 second
Orientation accuracy	±0.05°
Rotation	Pan 360°continuously, tilt 180° (-90° ~ +90°) , with auto-flip
Speed Proportion	As the length of focus, to auto-adjust the speed
Preset	128 preset, titles can be edited
Auto-flip	Tilt down 90°, with auto-flip 180°
Scan	355°programmable , 4 scan
Display zone	8 programmable zones with titles
Alarm function	7 alarm input / 2 alarm output
Sync Model	Internal/external
Privacy masking zone	24
Decoder	Built-in
Video output	Female BNC
Remote controlling	RS485/422 BUS、Manchester、BI-PHASE、 Coaxial Video Control
Baud rate (RS485)	2400 / 4800 / 9600/19200 bps
ID range	1~254
Temperature	Outdoor -30℃~+50℃
Humidity	0~95% (no condensation)
Protection grade	IP66, TVS1500W lightning-proof, surge-proof, all-day defend cover
Dimension (L*W*H)	411*210*286mm
Net weight	12.0kg

Dimension :



K.S.R. ELECTRONICS CO., LTD.

1072 Lardphao Rd., Samsennok, Huaykwang, Bangkok 10320
 Tel : 0-2939-8383 Fax : 0-2513-6040
 email : ksrelectronics@yahoo.com