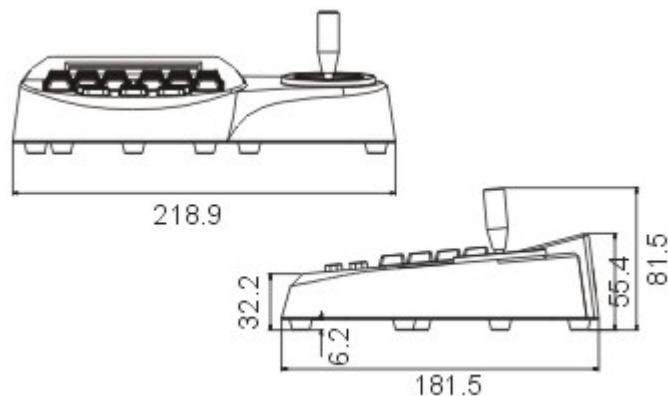


2-axis Keyboard Controller (K72-02)



Features:	
◆ Support PELCO matrix.	
◆ Support 4 keyboards linkage, each keyboard can support 32 domes at the most.	
◆ Expediently and comfortably use according to ergonomics design.	
◆ LCD with back-light can display command menu, protocol, current camera ID, output display ID and joystick status.	
◆ Two axis joystick can control speed of pan/ tilt.	
◆ Built-in multi-protocol such as Pelco_P、Pelco_D、VIDO_B02、Pelco matrix and so on; Baud rate can be selected.	
◆ Support all shortcut key of dome to handle.	
Specification	
Model	K72-XXX
Power	Power supply: 9V-12V AC/DC
	Power consumption: 5W
Physics	Dimension: 218*180*98 (mm)
	Net weight: 650g Gross weight: 1220g
Environment	Temperature: 0℃ ~ +50℃
	Humidity: 0~95%(Non-condensation)
Communication	Type of connection: Six plugs & RJ45
	Type of interface: RS-485/422
	Baud rate: 2400/4800/9600/19200 bps
	Transmitting distance: 1200m (0.5mm twisted pair cable)
Gross Weight	1.2Kg

Dimension:



K.S.R. ELECTRONICS CO., LTD.

1072 Lardphao Rd., Samsennok, Huaykwang, Bangkok 10320
 Tel : 0-2939-8383 Fax : 0-2513-6040
 email : ksrelectronics@yahoo.com